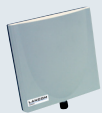




... connecting your business



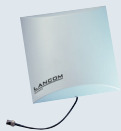
AirLancer Extender outdoor antennas

Weather-proof antennas for outdoor use





- Directional antennas for wireless bridges and wide-angle antennas for campuses
- Complete sets include cables and mounting materials
- Optional extra – lightning protection for outdoor AirLancer Extender antenna installations



AirLancer Extender outdoor antennas are the optimal WLAN add-on for interconnecting cabled LANs via wireless bridges or for establishing pico-cell networks on campuses, hotspots, or in large halls, for example. An optional extra recommended for outdoor use: The AirLancer Extender SA-5 lightning protection.



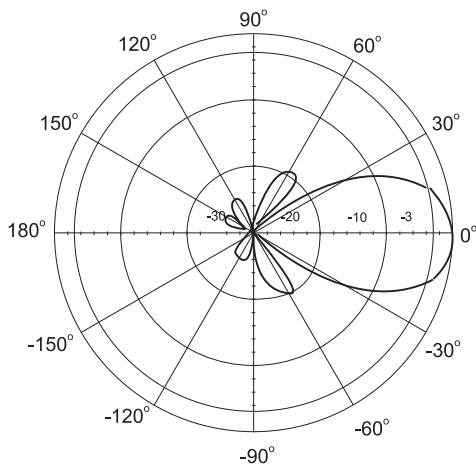
AirLancer Extender outdoor antennas

	AirLancer Extender O-30	AirLancer Extender O-70	AirLancer Extender O-18a
			
Designed for	14-dBi-directional antenna for outdoor use	Pico-cell antenna for indoor and outdoor use	18dBi-directional antenna for indoor and outdoor use
Frequency range	2400 – 2483.5 MHz (ISM)	2400 – 2483,5 MHz (ISM)	5.25 – 5.875 GHz
Antenna gain	14 dBi	8.5 dBi	18 dBi
Range (Point to Point)	up to 3000 m	up to 1300 m	up to 8000 m
Data rate	up to 108Mbps	up to 108Mbps	up to 108Mbps
Directivity pattern	directional 30° (3 dB beamwidth)	directional 70° (3 dB beamwidth)	18° horizontal, 18° vertical
Polarization	vertical, linear	vertical, linear	vertical, linear
VSWR	1.4 : 1	1.5 : 1	1.5 : 1
Front to back ratio	> 15 dB	> 12 dB	25 dB
Impedance	50 Ohms	50 Ohms	50 Ohms
Mounting	for wall or pylon mounting (pylon ø 40 – 60 mm) adjustable		
Dimension (H x W x D)	240 x 240 x 60 mm Mounting ca. 100 x 55 x 45 mm	125 x 120 x 50 mm Mounting 100 x 85 x 75 mm	215 x 200 x 48.5 mm
Wiring and connectors	9 m ULA168 (N connector male – reverse SMA female) RP-SMA terminator	6 m ULA168 (N connector male – reverse SMA female) RP-SMA terminator	1 m ULA168 RP-SMA jack to N plug ; 3 m HDF 400 N jack to N plug (prepared for integration of AirLancer Extender SA-5) RP-SMA terminator
Operational environment	- 20 °C to +60 °C, up to 100 % humidity at 25 °C	- 10 °C to +55 °C, up to 95 % humidity (non condensing)	- 40°C to +80°C, up to 95% humidity at 25°C (non condensing), wind speed up to 216 km/h
Optional connections	Direct to the Reverse SMA connector of the main antenna connector of LANCOM Wireless access points. When combining the AirLancer Extender antennas with the OAP Wireless, the supplied cables are not suitable for use with the SMA connector. The access point is supplied with a 1m adapter cable.		
Approvals/standards	The antenna is suitable for operation with LANCOM Wireless base stations only. The overall system meets CE standards and may be operated under strict observation of the guidelines for the use of frequency ranges and transmission power. For this purpose, LANCOM access points feature a setting for transmission power. Further information is available in the LANCOM Reference Manual and at www.lancom.de		
Service	Warranty 2 years Support via hotline und internet		
Item no.	60478	60469	61210
Accessories			
Cable	AirLancer cable NJ-NP 3m, 6m, 9m – extension cable item no. 61230, 61231, 61232		
AirLancer Extender SA-5-Surge protector			
			
Application range	5-GHz surge protector		
Impedance	50 Ohms		
Max. power	200 Watts		
Insertion loss	< 0.1dB		
Conducted voltage	350 V DC		
Connectors	Standard N plug and N jack, fixation for ground line		
Dimensions	75 x 25 x 35 mm		
Operational environment	-20° to +60°C, up to 100% humidity at 25°C		
Item no.	61212		

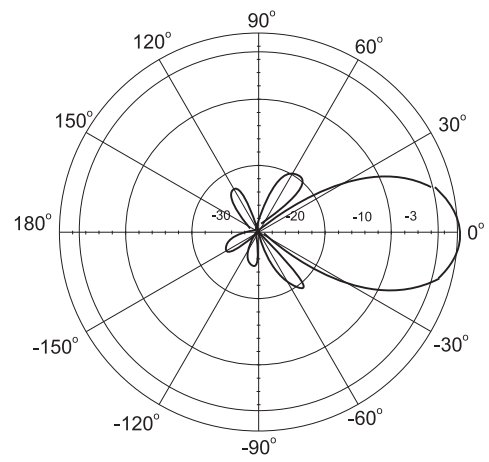
AirLancer Extender outdoor antennas

AirLancer Extender O-30

Horizontal Pattern

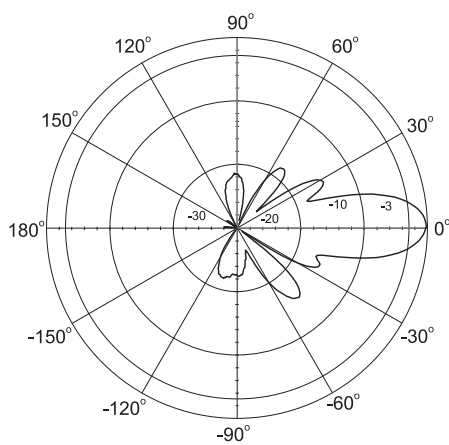


Vertical Pattern

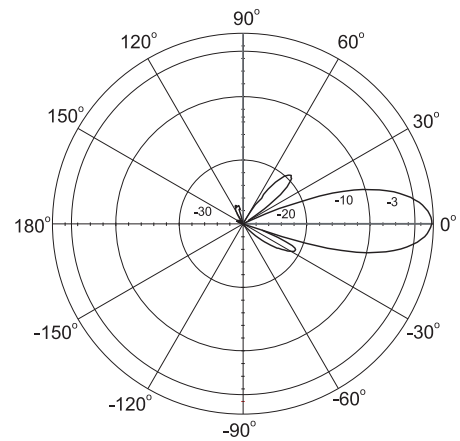


AirLancer Extender O-18a

Horizontal Pattern

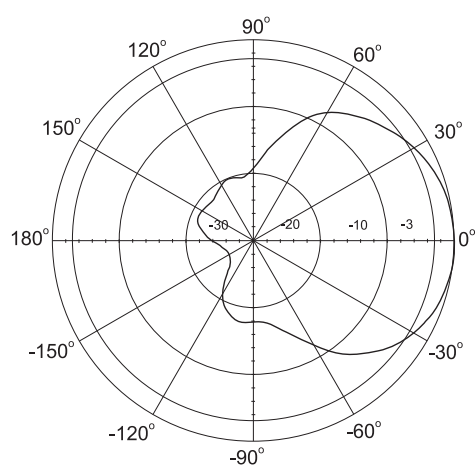


Vertical Pattern

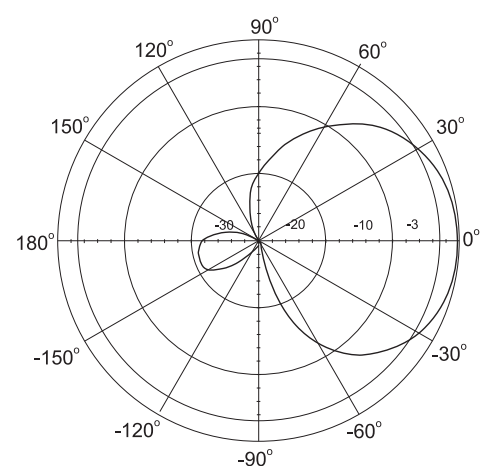


AirLancer Extender O-70

Horizontal Pattern



Vertical Pattern



LANCOM, LANCOM Systems und LCOS are registered trademarks. Other names mentioned may be trademarks or registered trademarks of their respective owners. Subject to change without notice. No liability for technical errors and/or omissions. 08/06